

Pars Delta Co. Retrofit

Calor Emag ZE4WL



Technical Data CB

Rated voltage: 12 kV

Rated short time
current: 31,5 kA

Rated current: 630 A



Pars Delta Co. Retrofit

Implementation:

Exchange of circuit breaker Calor Emag OD4
against circuit breaker type ABB VD4



Pars Delta Co. Retrofit

Siemens GWSH515



Technical Data CB

Rated voltage: 12 kV

Rated short time
current: 31,5 kA

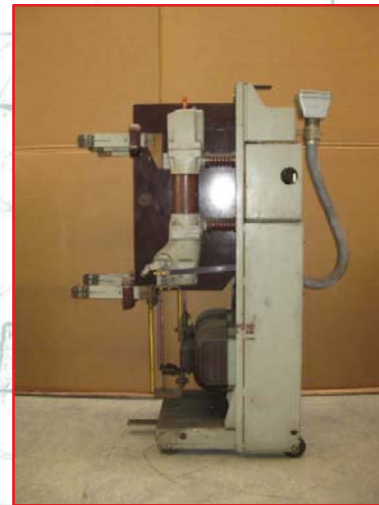
Rated current: 630 A



Pars Delta Co. Retrofit

Implementation :

Exchange of circuit breaker Siemens H515-10/630-250/6
against circuit breaker type ABB VD4 12.06.32 p150



Pars Delta Co. Retrofit

GEC Alstom HPtwz



Technical Data CB

Rated voltage: 12 kV

Rated short time
current: 40 kA

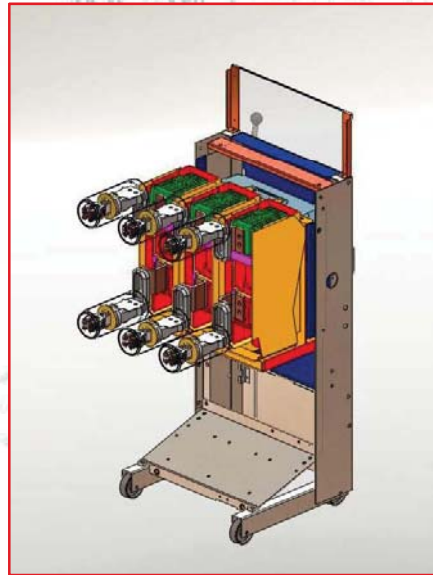
Rated current: 1250 A



Pars Delta Co. Retrofit

Implementation :

Exchange of circuit breaker GEC Alstom HPtwz 304f
against circuit breaker type Siemens SION 3AE1153-1



Pars Delta Co. Retrofit

GEC Alstom HPtwz



Technical Data CB

Rated voltage:	12 kV
Rated short time current:	40 kA
Rated current:	1250 A

Technical Data Contactor

Rated voltage:	12 kV
Rated short time current:	8 kA
Rated current:	400 A



Pars Delta Co. Retrofit

Implementation :

Exchange of circuit breaker GEC Alstom HPTwz 304f
against power contactor type Merlin Gerin rollarc R400

